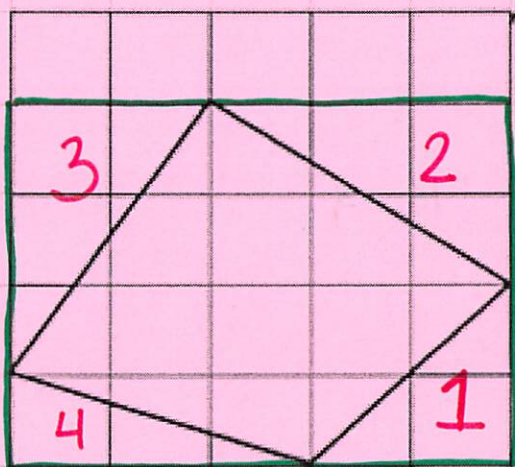
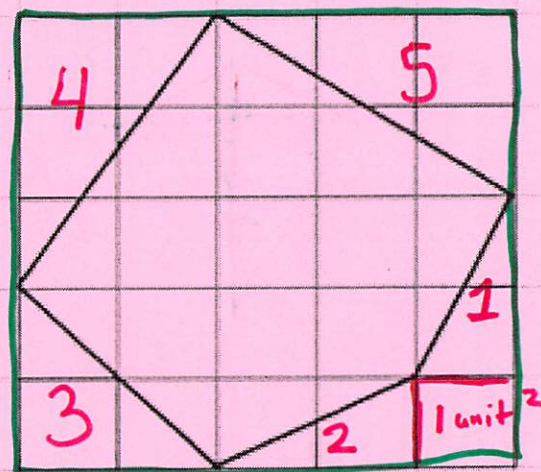


Show Work:

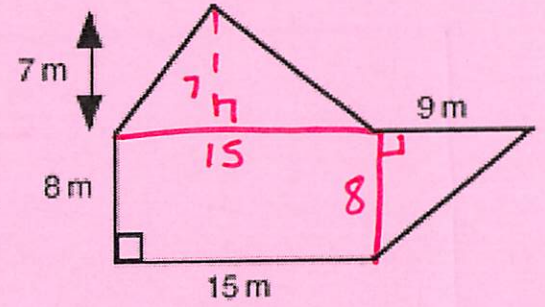
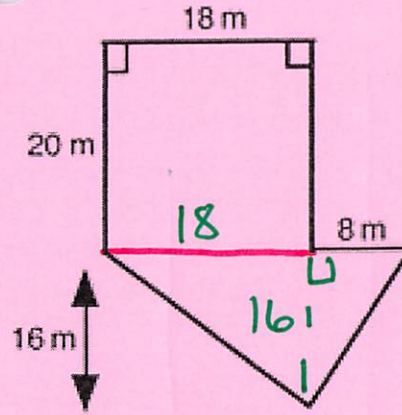
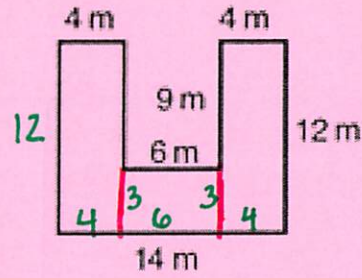
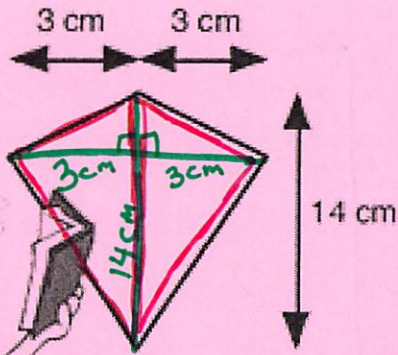
Box:  $A = b \cdot h \rightarrow 5 \cdot 5 = 25$



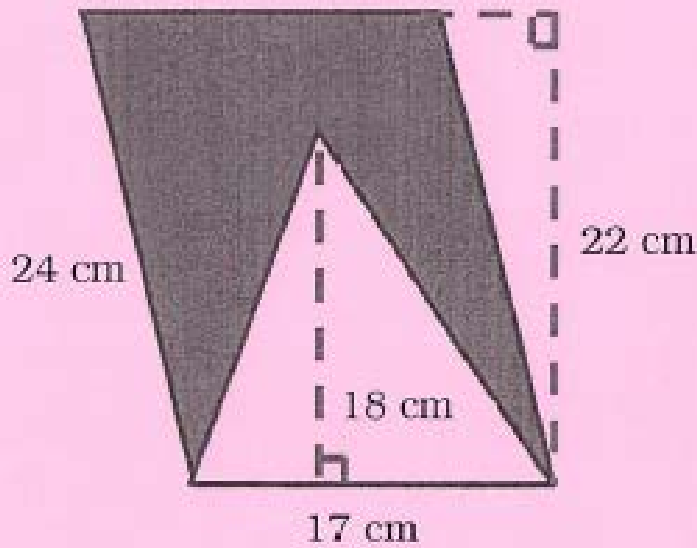
Box:  $A = b \cdot h \rightarrow 5 \cdot 4 = 20$



Box:  $A = b \cdot h \rightarrow 5 \cdot 5 = 25$



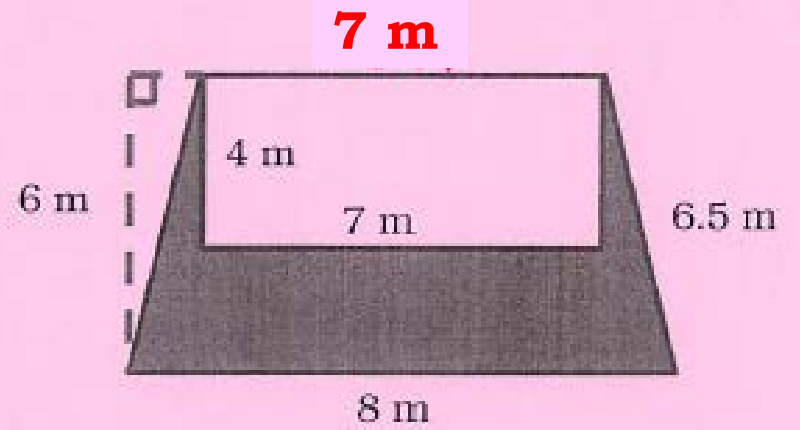
2 = $\Delta$ 's .	2 = $\square$ 's (sides)	$\square$	Top $\Delta$
	$\square$ (Middle)	$\Delta$	Rectangle
			Right $\Delta$



Entire Shape: Parallelogram

Cut-out: Triangle

Shaded Area =



Entire Shape: Trapezoid

Cut-out: Rectangle

Shaded Area =