

Show Work:

Square: $5 \cdot 5 = 25$

$\Delta 1: \frac{3 \cdot 3}{2} = 4.5$

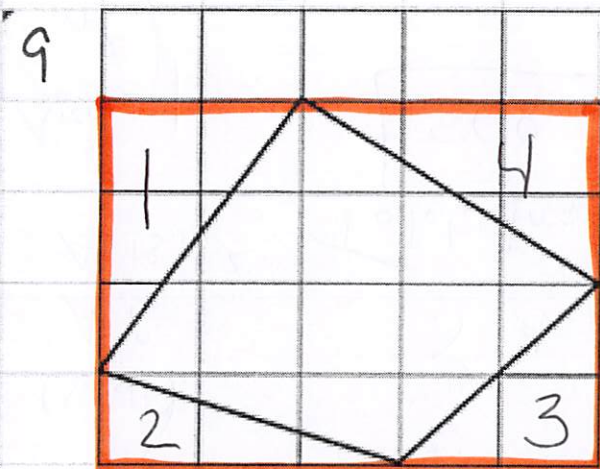
$\Delta 2: \frac{2 \cdot 3}{2} = 3$

$\Delta 3: \frac{2 \cdot 2}{2} = 2$

$\Delta 4: \frac{3 \cdot 2}{2} = 3$

Area = 12.5

$$\begin{array}{r} 25 \\ -4.5 \\ \hline 20.5 \\ -3 \\ \hline 17.5 \\ -2 \\ \hline 15.5 \\ -3 \\ \hline 12.5 \end{array}$$



Rectangle: $5 \cdot 4 = 20$

$\Delta 1: \frac{3 \cdot 2}{2} = 3$

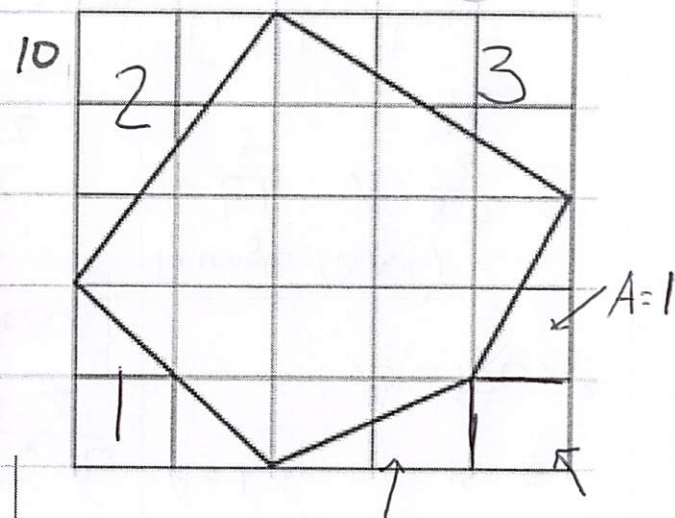
$\Delta 2: \frac{3 \cdot 1}{2} = 1.5$

$\Delta 3: \frac{2 \cdot 2}{2} = 2$

$\Delta 4: \frac{3 \cdot 2}{2} = 3$

Area = 10.5

$$\begin{array}{r} 20 \\ -3 \\ \hline 17 \\ -1.5 \\ \hline 15.5 \\ -2 \\ \hline 13.5 \\ -3 \\ \hline 10.5 \end{array}$$



Square: $5 \cdot 5 = 25$

$\Delta 1: \frac{2 \cdot 2}{2} = 2$

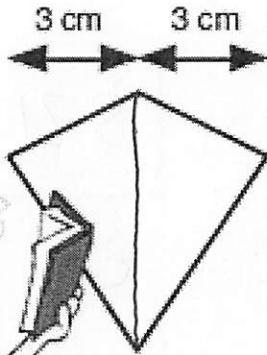
$\Delta 2: \frac{2 \cdot 3}{2} = 3$

$\Delta 3: \frac{3 \cdot 2}{2} = 3$

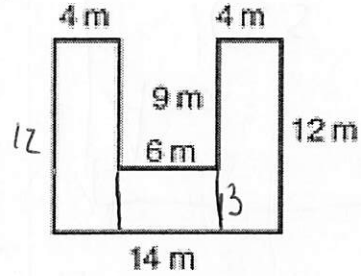
Area = 14

$$\begin{array}{r} 25 \\ -2 \\ \hline 23 \\ -3 \\ \hline 20 \\ -3 \\ \hline 17 \\ -3 \\ \hline 14 \end{array}$$

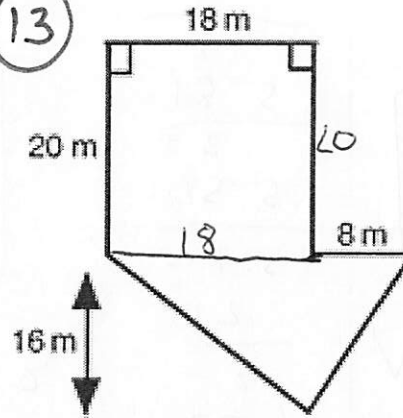
11



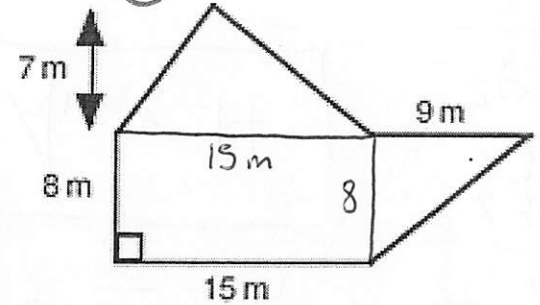
12



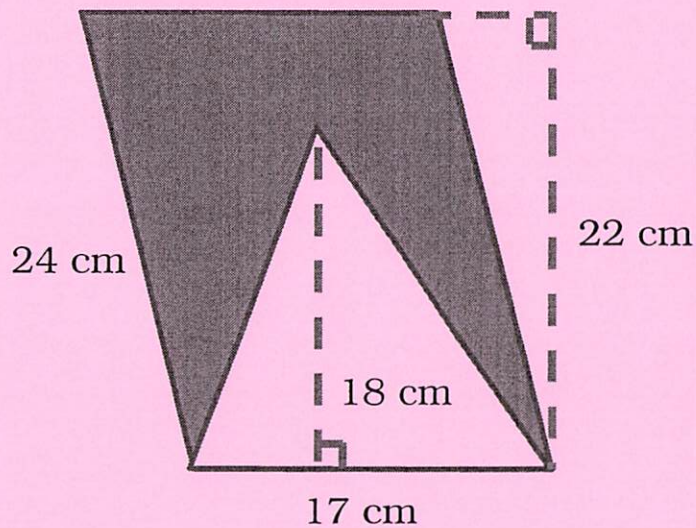
13



14



<p>2 Triangles</p> $A = \frac{b \cdot h}{2}$ $A = \frac{14 \cdot 3}{2}$ $A = 21 \text{ cm}^2$	<p>2 Side Rectangles</p> $A = b \cdot h$ $A = 4 \cdot 12$ $A = 48 \text{ m}^2$ <p>x2</p> $A = 96 \text{ m}^2$	<p>Rectangle</p> $A = b \cdot h$ $A = 18 \cdot 20$ $A = 360 \text{ m}^2$	<p>Triangle (Top)</p> $A = \frac{b \cdot h}{2}$ $A = \frac{15 \cdot 7}{2}$ $A = 52.5 \text{ m}^2$
<p>x2</p>	<p>Rectangle</p> <p>Rectangle (small)</p> $A = b \cdot h$ $A = 6 \cdot 3$ $A = 18 \text{ m}^2$	<p>Triangle</p> $A = \frac{b \cdot h}{2}$ $A = \frac{20 \cdot 16}{2}$ $A = 208 \text{ m}^2$	<p>Rectangle</p> $A = b \cdot h$ $A = 15 \cdot 8$ $A = 120 \text{ m}^2$
<p>Total Area</p> <div style="border: 1px solid black; padding: 5px; width: fit-content; margin: 0 auto;">42 cm²</div>	<p>Total Area</p> <div style="border: 1px solid black; padding: 5px; width: fit-content; margin: 0 auto;">114 m²</div>	<p>Total Area</p> <div style="border: 1px solid black; padding: 5px; width: fit-content; margin: 0 auto;">568 m²</div>	<p>Triangle (Right)</p> $A = \frac{b \cdot h}{2}$ $A = \frac{8 \cdot 9}{2}$ $A = 36 \text{ m}^2$ <p>Total Area</p> <div style="border: 1px solid black; padding: 5px; width: fit-content; margin: 0 auto;">208.5 m²</div>



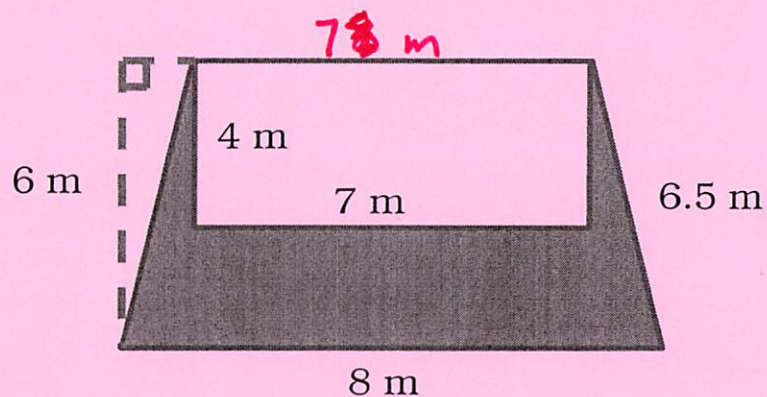
Entire Shape: Parallelogram

$$A = b \cdot h \rightarrow 17 \cdot 22 = 374 \text{ cm}^2$$

Cut-out: Triangle

$$A = \frac{b \cdot h}{2} \quad A = \frac{17 \cdot 18}{2} = 153 \text{ cm}^2$$

$$\text{Shaded Area} = 221 \text{ cm}^2$$



Entire Shape: Trapezoid

$$A = \frac{h \cdot (b_1 + b_2)}{2} \quad A = \frac{6 \cdot (8 + 7)}{2} = 45 \text{ m}^2$$

Cut-out: Rectangle

$$A = b \cdot h \rightarrow A = 4 \cdot 7 = 28 \text{ m}^2$$

$$\text{Shaded Area} = 17 \text{ m}^2$$